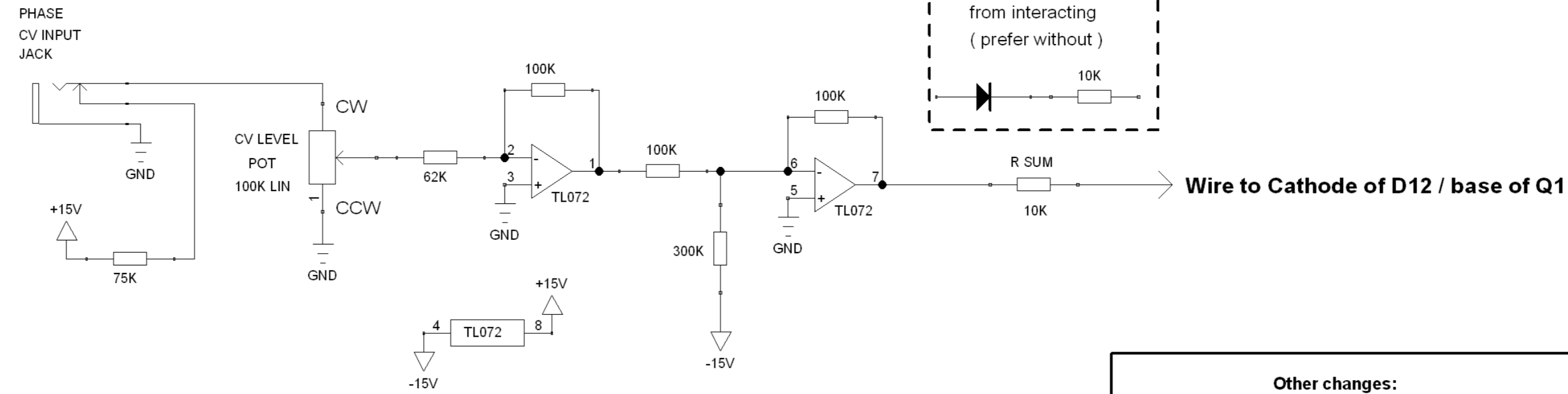


UNIPOLAR PHASE CV
- TESTED and WORKS

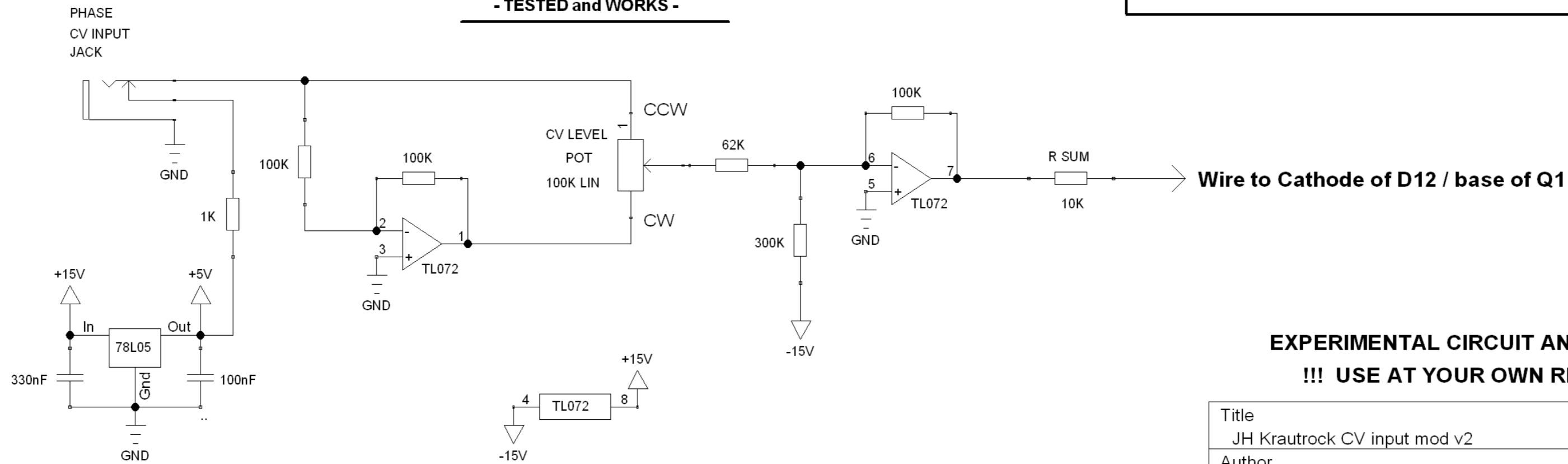


R SUM with Diode
Use diode to prevent
CV INPUT and LFO
from interacting
(prefer without)

Other changes:

- Added 100K audio taper pot to tame input level
- INCREASE OUTPUT LEVELS (may effect feedback?)
Changed R58, R59, R54, R64 = 2K each

BIPOLAR PHASE CV
- TESTED and WORKS -



EXPERIMENTAL CIRCUIT AND MODS
!!! USE AT YOUR OWN RISK !!!

Title JH Krautrock CV input mod v2		
Author P. Petschke MegaOhmAudio		
File \\D Projects\JH Krautrock CV input mod v2.dsn	Document	
Revision 2.0	Date March 2017	Sheets 1 of 1